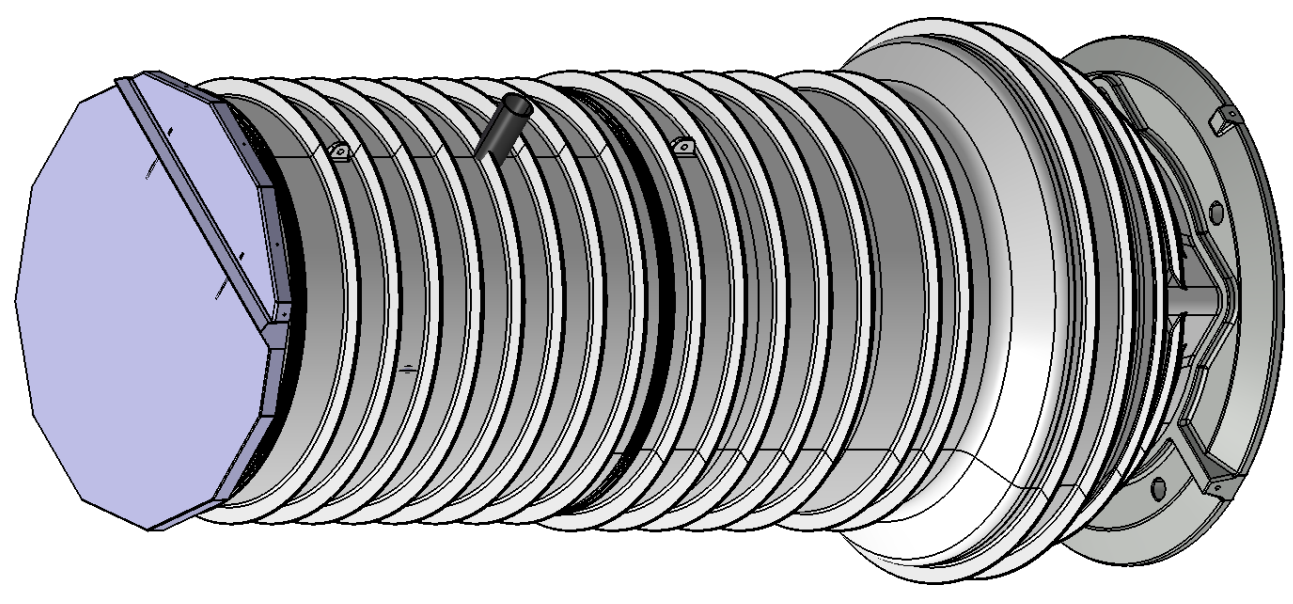
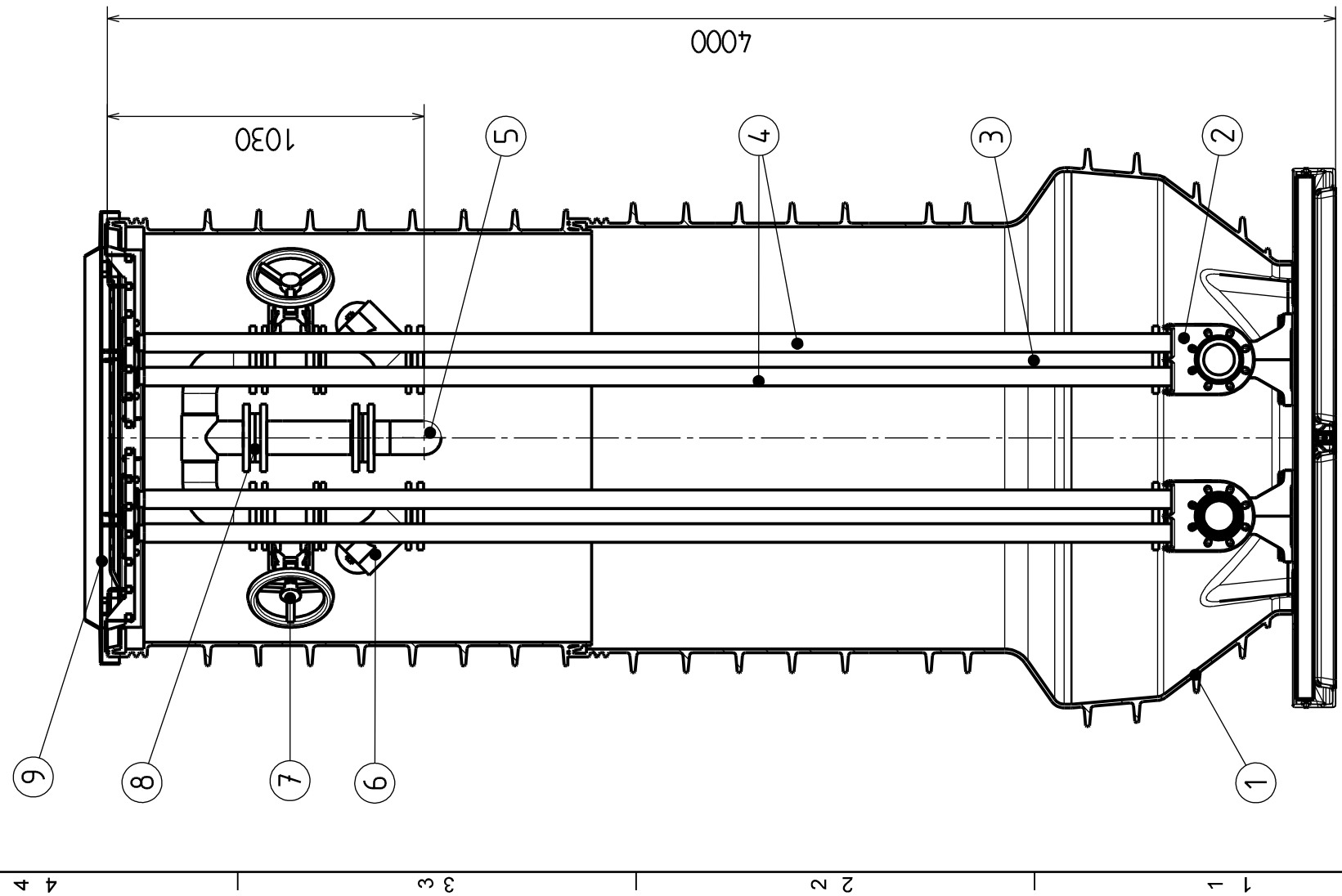
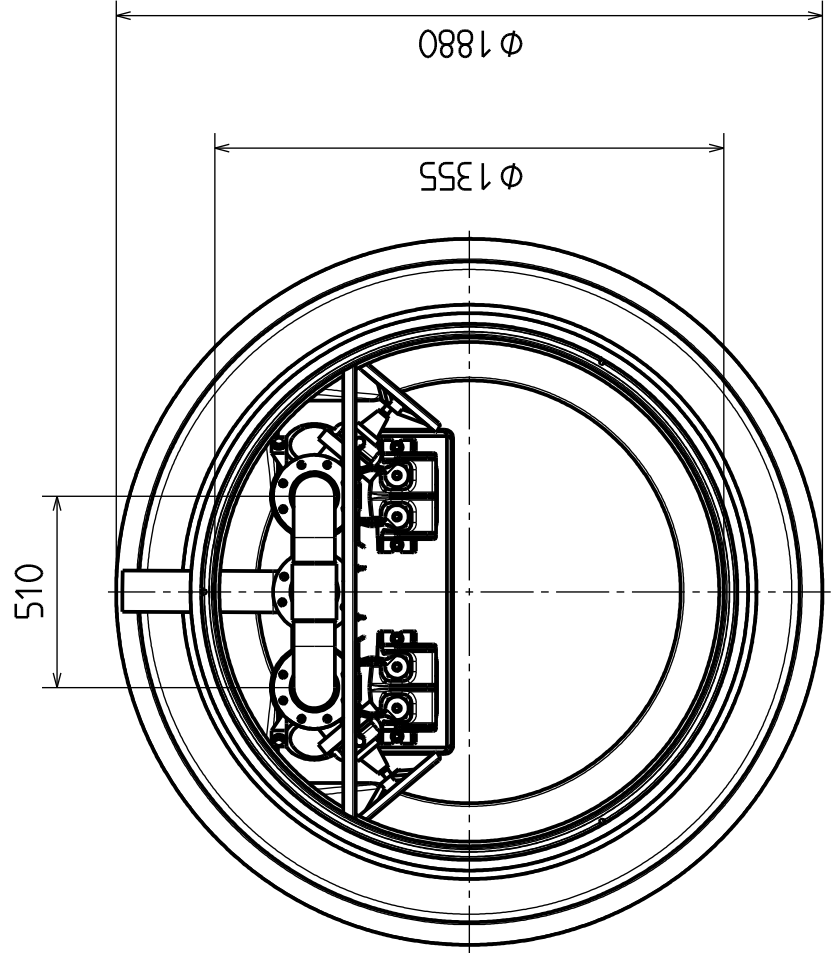


U F W E A D C B A



9	Cover ALU for PUST17 with safety grid
8	Flange assembly D110 PE
7	Shut off valve DN100
6	Non return valve DN100
5	Outlet pipe D110 PE
4	Guide pipe 2" RF
3	Pressure pipe D110 PE
2	Autocoupling for SE/SL-pump DN100
1	PUST D1700x4000mm
No.	DESCRIPTION

Basic Material No.		Scale:	1:25	Drawer:	49208	Date:	2016-11-24
Dimension of basic material.		Replaced:		Approver:		Date:	
Type of basic material.		Replaced by:					
Drawing type:		DK-8850 BJERRINGBRO DENMARK As this is the property of GRUNDFOSS as it must not be passed on to any person not authorized by GRUNDFOSS or be copied or otherwise utilized by anybody without GRUNDFOSS' expressed written permission.					
Related drawings:		Description:					
Projection:		PUST 1700x4000mm 2xSE/SL GC DN100 PE					
ECM No.		Drawing No.		97850588			
Date - Init		Page:		1 of 1			
		Part Version:		Doc. Revision:			