

WRL 180 - 650

Water cooled heat pump reversible water side

Cooling capacity 49 ÷ 174 kW
Heating capacity 55 ÷ 192 kW

- High efficiency
- Suitable for geothermal applications
- Production of hot water up to 55 °C



DESCRIPTION

Water-water offering chilled/hot water, designed to meet air conditioning needs in residential/commercial complexes or industrial applications. Indoor units with hermetic scroll compressors and plate heat exchangers.

In the configuration with desuperheater, it is also possible to produce free-hot water.

The technological choices made, always oriented to the highest quality, ensure very easy installation.

In fact the electrical and hydraulic connections are all located in the upper part of the unit, facilitating the installation and maintenance operations and also reducing the technical gaps and their position in as little space as possible.

FEATURES

Operating field

Full-load operation with the production of chilled water 4-18°C, and the possibility to produce also negative temperature water down to -8°C for the evaporator and hot water for the condenser up to 55 °C. (for more information, refer to the technical documentation).

Plug and play

All the units are equipped with scroll compressors and plate heat exchangers; the base and panelling are made of steel treated with RAL 9003 polyester paints.

The electric and hydraulic connections are all located on the upper part of the unit facilitating installation and maintenance. This allows reduced plant room space and installation in the smallest space possible. The heat pump can be supplied with all the components required for its installation in new systems and to replace other heat generators. It can be combined with low temperature emission systems such as floor heating or fan coils, but also with conventional radiators.

Version with Integrated hydronic kit

The standard unit is supplied with a water filter, differential pressure switch and safety valve already installed on the service and source side (and also on the recovery side, if present).

To obtain a solution that offers economic savings and facilitates installation, these units can be configured with an integrated hydronic kit on both hydraulic sides (service and source).

Low-head and high-head pumps are available, along with a modulating 2-way valve that can only be applied on the source side to reduce consumption in applications with groundwater.

CONTROL MPC

Microprocessor adjustment, with keyboard and LCD display, for easy access on the unit is a menu available in several languages.

- Possibility to control two units in a Master-Slave configuration
- The presence of a programmable timer allows functioning time periods and a possible second set-point to be set.
- The temperature control takes place with the integral proportional logic, based on the water output temperature.

ACCESSORIES

AER485P1: RS-485 interface for supervision systems with MODBUS protocol.

AERNET: The device allows the control, the management and the remote monitoring of a Chiller with a PC, smartphone or tablet using Cloud connection. AERNET works as Master while every unit connected is configured as Slave (max. 6 unit); also, with a simple click is possible to save a log file with all the connected unit datas in the personal terminal for post analysis.

KSAE: External air sensor.

PGD1: Allows you to control the unit at a distance.

SSM: Probe to be used with the mixer valve in applications with radiant panels. The probe requires the VMF-CRP area accessory as well.

TAH: Ambient terminal with temperature and humidity probe - 230V AC flush-mounting model that can command an On-Off valve or a zone pump and dehumidifier consent.

TAT: Ambient terminal with temperature probe - 230V AC flush-mounting model that can command an On-Off valve or a zone pump.

VMF-CRP: To predict accessory for the management of the probes SPLW / SDHW if provided with the MULTICONTROL

VT: Anti-vibration supports.

ACCESSORIES COMPATIBILITY

Ver	180	200	300	400	500	550	600	650
Model: °, E, K	AER485P1, AERNET, KSAE, PGD1, SSM, TAH, TAT, VMF-CRP	AER485P1, AERNET, KSAE, PGD1, SSM, TAH, TAT, VMF-CRP	AER485P1, AERNET, KSAE, PGD1, SSM, TAH, TAT, VMF-CRP	AER485P1, AERNET, KSAE, PGD1, SSM, TAH, TAT, VMF-CRP	AER485P1, AERNET, KSAE, PGD1, SSM, TAH, TAT, VMF-CRP	AER485P1, AERNET, KSAE, PGD1, SSM, TAH, TAT, VMF-CRP	AER485P1, AERNET, KSAE, PGD1, SSM, TAH, TAT, VMF-CRP	AER485P1, AERNET, KSAE, PGD1, SSM, TAH, TAT, VMF-CRP

Antivibration

Version	Integrated hydronic kit, source side	Integrated hydronic kit, user side	180	200	300	400	500	550	600	650
°	°B,F,I,U,V	°N,P	VT9	VT9	VT9	VT9	VT15	VT15	VT15	VT15

CONFIGURATOR

Field	Description
1,2,3	WRL
4,5,6	Size 180, 200, 300, 400, 500, 550, 600, 650
7	Operating field
°	Standard mechanic thermostatic valve (1)
X	Electronic thermostatic expansion valve
Y	Low temperature mechanic thermostatic valve (2)
8	Model
°	Heat pump reversible on the water side
E	Evaporating unit (3)
K	Heat pump reversible on the water side with low pressure drops
9	Version
°	Standard
10	Heat recovery
°	Without heat recovery
D	With desuperheater
11	Integrated hydronic kit, source side
°	Without hydronic kit
B	On-off pump

Field	Description
F	Single low-head inverter pump
I	High-head inverter pump
U	Pump high head
Applications with bore hole water	
V	2-way modulating valve
12	Integrated hydronic kit, user side
°	Without hydronic kit
N	Pump high head
P	Pump low head
13	Field for future development
°	Field for future development
14	Soft-start
°	Without soft-start
S	With soft-start
15	Power supply
°	400V~3N 50Hz

(1) Water produced from 4 °C ÷ 18 °C

(2) Water produced from 4 °C ÷ - 8 °C

(3) Shipped with holding charge only

PERFORMANCE SPECIFICATIONS

WRL - E

Size		180	200	300	400	500	550	600	650
Cooling performance 12 °C / 7 °C (1)									
Cooling capacity	kW	46,0	60,1	69,6	80,1	90,6	121,3	140,2	158,7
Input power	kW	12,4	16,0	18,5	19,8	23,1	29,6	34,1	38,5
Cooling total input current	A	23,0	29,0	32,0	36,0	42,0	56,0	65,0	74,0
EER	W/W	3,71	3,76	3,76	4,05	3,92	4,10	4,11	4,12
Water flow rate system side	l/h	7903	10326	11958	13762	15566	20841	24088	27266
Pressure drop system side	kPa	23	39	39	56	25	42	47	57

(1) Service side water 12 °C / 7 °C; Condensing temperature 45 °C

WRL - °

Size		180	200	300	400	500	550	600	650
Cooling performance 12 °C / 7 °C (1)									
Cooling capacity	kW	49,7	64,3	74,4	85,9	99,8	129,5	150,1	169,0
Input power	kW	10,8	14,4	16,8	18,3	20,4	27,0	31,0	35,7
Cooling total input current	A	20,0	25,0	29,0	62,0	36,0	51,0	59,0	68,0
EER	W/W	4,59	4,47	4,42	4,69	4,90	4,80	4,84	4,73
Water flow rate source side	l/h	10336	13418	15531	17725	20550	26664	30860	34836
Pressure drop source side	kPa	27	46	62	81	32	52	57	72
Water flow rate system side	l/h	8549	11082	12824	14822	17186	22296	25844	29025
Pressure drop system side	kPa	27	43	46	60	30	49	53	67

Heating performance 40 °C / 45 °C (2)

Heating capacity	kW	55,8	72,6	84,1	95,6	110,7	143,6	166,1	187,7
Input power	kW	13,2	17,6	20,5	22,4	24,8	32,9	37,9	43,9
Heating total input current	A	24,0	30,0	34,0	38,0	44,0	61,0	71,0	82,0
COP	W/W	4,24	4,13	4,10	4,27	4,46	4,36	4,38	4,27
Water flow rate source side	l/h	12542	16257	18813	21745	25213	32709	37914	42683
Pressure drop source side	kPa	58	93	99	129	65	105	114	144
Water flow rate system side	l/h	9685	12580	14561	16557	19196	24909	28816	32553
Pressure drop system side	kPa	24	40	55	71	28	45	50	63

(1) Date 14511:2018; Water user side 12 °C / 7 °C; Water source side 30 °C / 35 °C

(2) Date 14511:2018; Water user side 40 °C / 45 °C; Water source side 10 °C / 7 °C

WRL - K

Size		180	200	300	400	500	550	600	650
Cooling performance 12 °C / 7 °C (1)									
Cooling capacity	kW	49,7	66,3	76,7	88,6	99,8	133,5	154,6	174,1
Input power	kW	10,8	14,4	16,9	18,3	20,4	26,7	30,8	35,6
Cooling total input current	A	20,0	25,0	29,0	32,0	36,0	51,0	59,0	68,0
EER	W/W	4,59	4,61	4,55	4,85	4,50	5,00	5,02	4,90
Water flow rate source side	l/h	10336	13753	15919	18173	20550	27338	31642	35716
Pressure drop source side	kPa	27	48	65	85	32	55	60	76
Water flow rate system side	l/h	8549	11414	13209	15267	17186	22965	26619	29967
Pressure drop system side	kPa	27	34	42	48	30	24	33	41

Heating performance 40 °C / 45 °C (2)

Heating capacity	kW	55,8	74,3	86,1	97,9	110,7	147,1	170,1	192,1
Input power	kW	13,2	17,5	20,5	22,2	24,8	32,3	37,3	43,1
Heating total input current	A	24,0	30,0	34,0	38,0	44,0	61,0	71,0	82,0
COP	W/W	4,24	4,24	4,20	4,40	4,46	4,56	4,56	4,46
Water flow rate source side	l/h	12542	16745	19337	22397	25213	33690	39052	43963
Pressure drop source side	kPa	58	73	90	103	65	52	71	88
Water flow rate system side	l/h	9685	12876	14904	16953	19196	25504	29507	33331
Pressure drop system side	kPa	24	42	57	74	28	48	52	66

(1) Date 14511:2018; Water user side 12 °C / 7 °C; Water source side 30 °C / 35 °C

(2) Date 14511:2018; Water user side 40 °C / 45 °C; Water source side 10 °C / 7 °C

ENERGY INDICES (REG. 2016/2281 EU)

WRL °

Size		180	200	300	400	500	550	600	650
SEER - 12/7 (EN14825: 2018) (1)									
SEER	W/W	4,65	4,55	4,54	4,74	5,31	5,04	5,12	4,97
Seasonal efficiency	%	182,8%	178,9%	178,5%	186,4%	209,3%	198,7%	201,7%	195,8%
UE 813/2013 performance in average ambient conditions (average) - 55 °C - Pdesignh ≤ 400 kW (2)									
Pdesignh	kW	68	91	98	119	137	185	212	236
ηsh	%	173,0%	170,0%	170,0%	175,0%	189,0%	186,0%	189,0%	184,0%
SCOP		4,53	4,45	4,45	4,58	4,93	4,85	4,93	4,80
Efficiency energy class		A+++	-	-	-	-	-	-	-
UE 813/2013 performance in average ambient conditions (average) - 35 °C - Pdesignh ≤ 400 kW (3)									
Pdesignh	kW	79	-	-	-	-	-	-	-
ηsh	%	222,0%	-	-	-	-	-	-	-
SCOP		5,75	-	-	-	-	-	-	-
Efficiency energy class		A+++	-	-	-	-	-	-	-

(1) Calculation performed with FIXED water flow rate and VARIABLE outlet temperature.

(2) Efficiencies for average temperature applications (55 °C)

(3) Efficiencies for low temperature applications (35 °C)

WRL K

Size		180	200	300	400	500	550	600	650
SEER - 12/7 (EN14825: 2018) (1)									
SEER	W/W	4,65	4,71	4,67	4,90	5,31	5,31	5,35	5,19
Seasonal efficiency	%	182,8%	185,3%	183,6%	192,9%	209,3%	209,2%	210,9%	204,6%
UE 813/2013 performance in average ambient conditions (average) - 55 °C - Pdesignh ≤ 400 kW (2)									
Pdesignh	kW	68	91	98	119	137	185	212	236
ηsh	%	173,0%	170,0%	170,0%	175,0%	189,0%	186,0%	189,0%	184,0%
SCOP		4,53	4,45	4,45	4,58	4,93	4,85	4,93	4,80
Efficiency energy class		A+++	-	-	-	-	-	-	-
UE 813/2013 performance in average ambient conditions (average) - 35 °C - Pdesignh ≤ 400 kW (3)									
Pdesignh	kW	79	-	-	-	-	-	-	-
ηsh	%	222,0%	-	-	-	-	-	-	-
SCOP		5,75	-	-	-	-	-	-	-
Efficiency energy class		A+++	-	-	-	-	-	-	-

(1) Calculation performed with FIXED water flow rate and VARIABLE outlet temperature.

(2) Efficiencies for average temperature applications (55 °C)

(3) Efficiencies for low temperature applications (35 °C)

ELECTRIC DATA

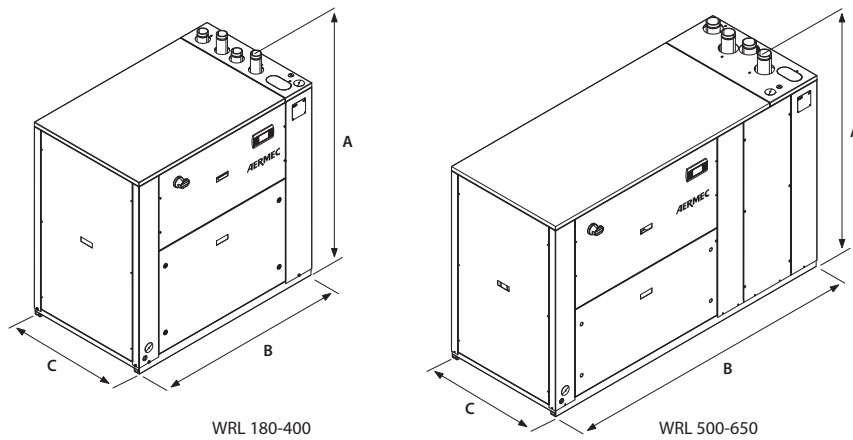
Size			180	200	300	400	500	550	600	650
Electric data										
Maximum current (FLA)	°E,K	A	32,6	41,8	45,2	52,1	59,0	99,0	112,0	125,0
Peak current (LRA)	°E,K	A	119,0	123,0	125,0	167,0	174,0	265,0	310,0	323,0

GENERAL TECHNICAL DATA

Size			180	200	300	400	500	550	600	650	
Compressor											
Type	°E,K	type								Scroll	
Compressor regulation	°E,K	Type								On-Off	
Number	°E,K	no.	2	2	2	2	2	2	2	2	
Circuits	°E,K	no.	1	1	1	1	1	1	1	1	
Refrigerant	°E,K	type									R410A
Refrigerant charge	°K	kg	6,0	7,0	6,8	7,2	9,0	14,5	16,8	16,5	
	E	kg	Holding charge	Holding charge	Holding charge	Holding charge	Holding charge	Holding charge	Holding charge	Holding charge	
Source side heat exchanger											
Type	°K	type								Braze plate	
	E	type									
Number	°K	no.	1	1	1	1	1	1	1	1	
	E	no.	-	-	-	-	-	-	-	-	
System side heat exchanger											
Type	°E,K	type								Braze plate	
Number	°E,K	no.	1	1	1	1	1	1	1	1	
Source side hydraulic connections											
Connections (in/out)	°K	Type								Grooved joints	
	E	Type									
Sizes (in/out)	°K	Ø	2"	2"	2"	2"	2"1/2	2"1/2	2"1/2	2"1/2	
	E	Ø									
System side hydraulic connections											
Connections (in/out)	°E,K	Type								Grooved joints	
Sizes (in/out)	°E,K	Ø	2"	2"	2"	2"	2"1/2	2"1/2	2"1/2	2"1/2	
Sound data calculated in cooling mode (1)											
Sound power level	°E,K	dB(A)	61,1	61,8	62,9	71,1	67,6	79,1	79,1	79,1	
Sound pressure level (10 m)	°E,K	dB(A)	29,6	30,3	31,4	39,6	36,0	47,5	47,5	47,5	

(1) Sound power calculated on the basis of measurements made in accordance with UNI EN ISO 9614-2, as required for Eurovent certification. Sound pressure (cold functioning) measured in free field, 10m away from the unit external surface (in compliance with UNI EN ISO 3744).

DIMENSIONS



Size			180	200	300	400	500	550	600	650
Dimensions and weights										
A	°E,K	mm	1380	1380	1380	1380	1380	1380	1380	1380
B	°E,K	mm	1320	1320	1320	1320	2060	2060	2060	2060
C	°E,K	mm	845	845	845	845	845	845	845	845
Empty weight	°K	kg	375	375	381	388	518	594	670	715
	E	kg	-	-	-	-	-	-	-	-

Aermec reserves the right to make any modifications deemed necessary. All data is subject to change without notice. Aermec does not assume responsibility or liability for errors or omissions.

Aermec S.p.A.

Via Roma, 996 - 37040 Bevilacqua (VR) - Italia
Tel. 0442633111 - Telefax 044293577
www.aermec.com